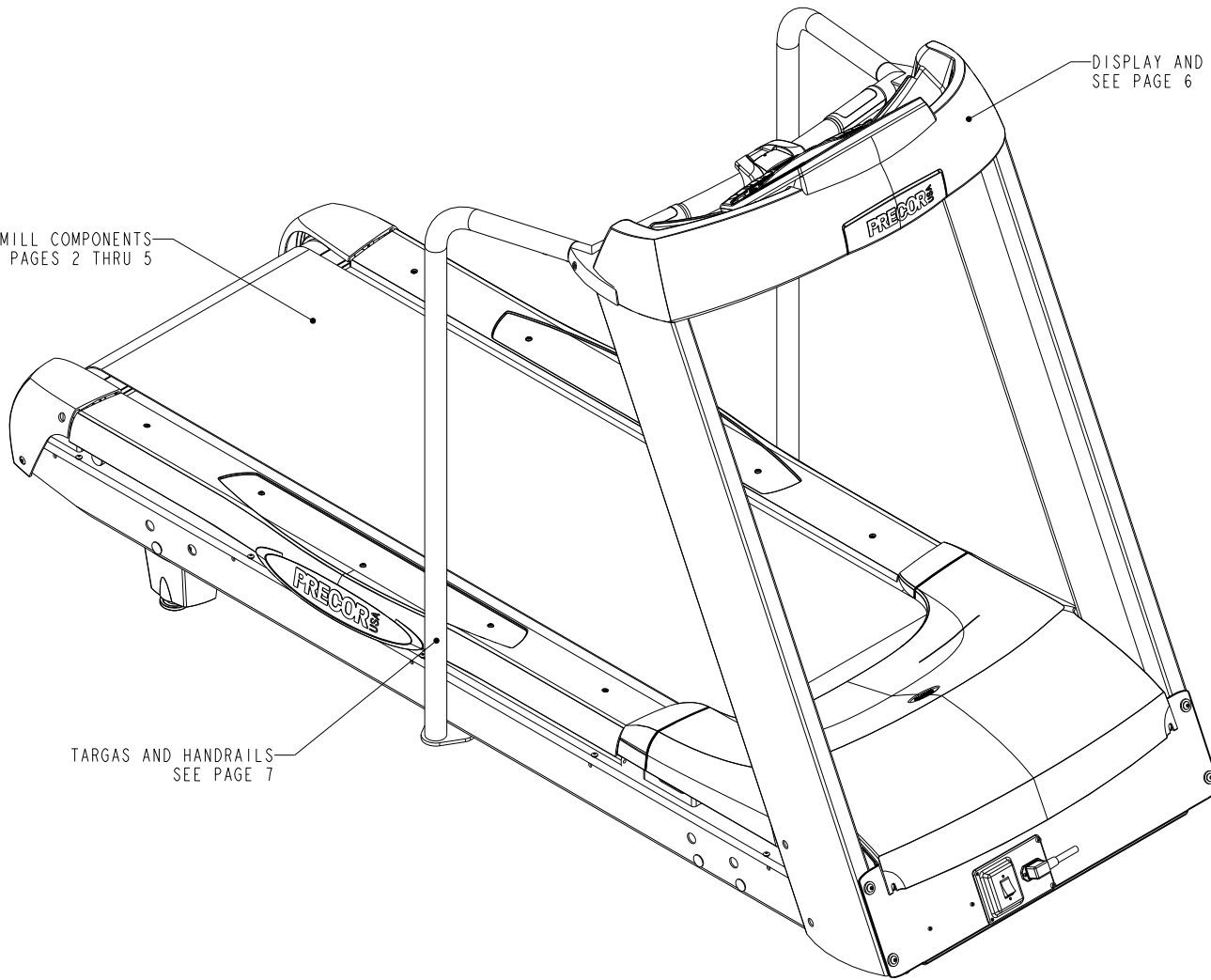


LOWER TREADMILL COMPONENTS
SEE PAGES 2 THRU 5

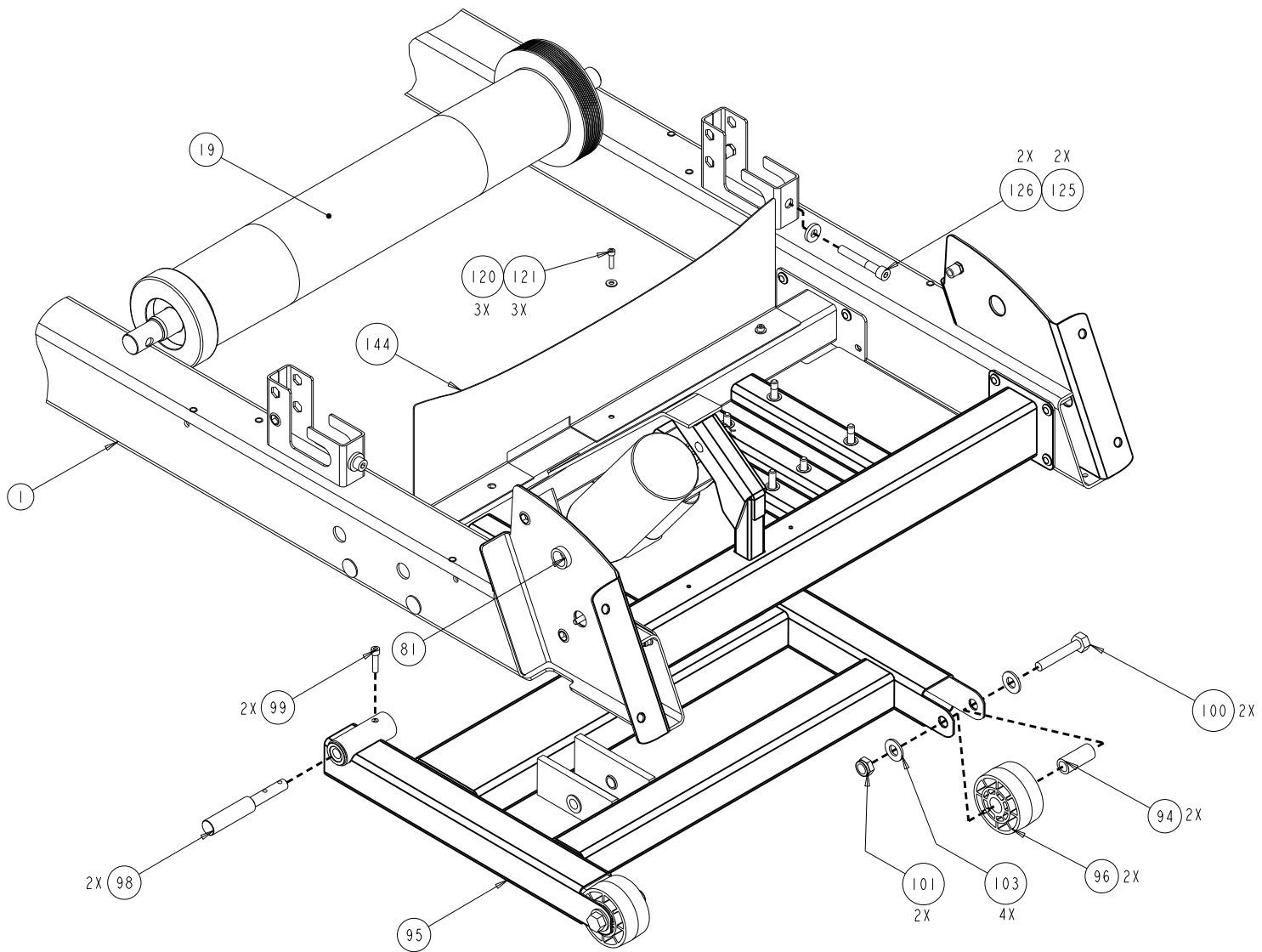
DISPLAY AND CONSOLE COMPONENTS
SEE PAGE 6

TARGAS AND HANDRAILS
SEE PAGE 7

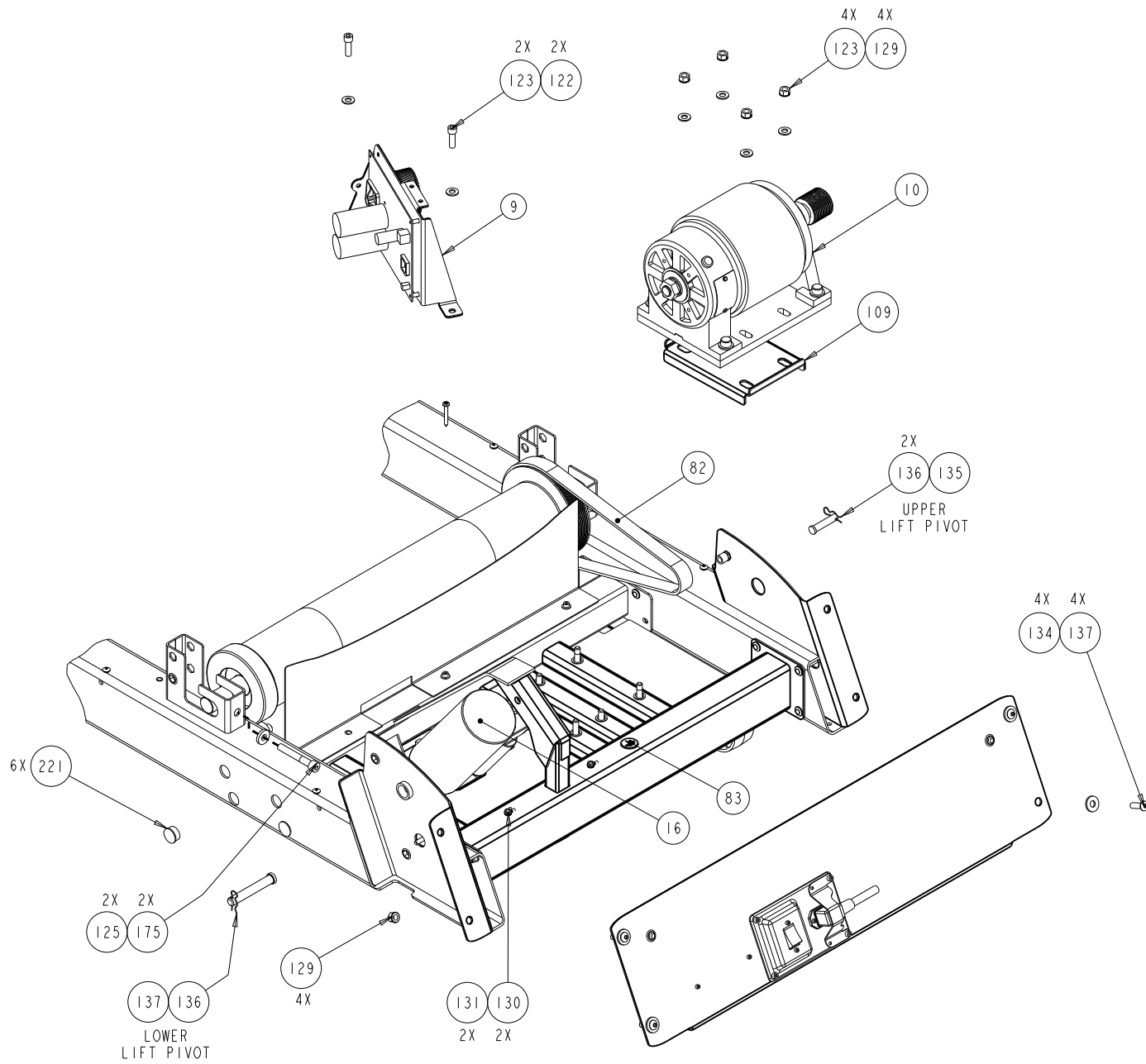


-101: C954i
-102: C956i
-103: C952i

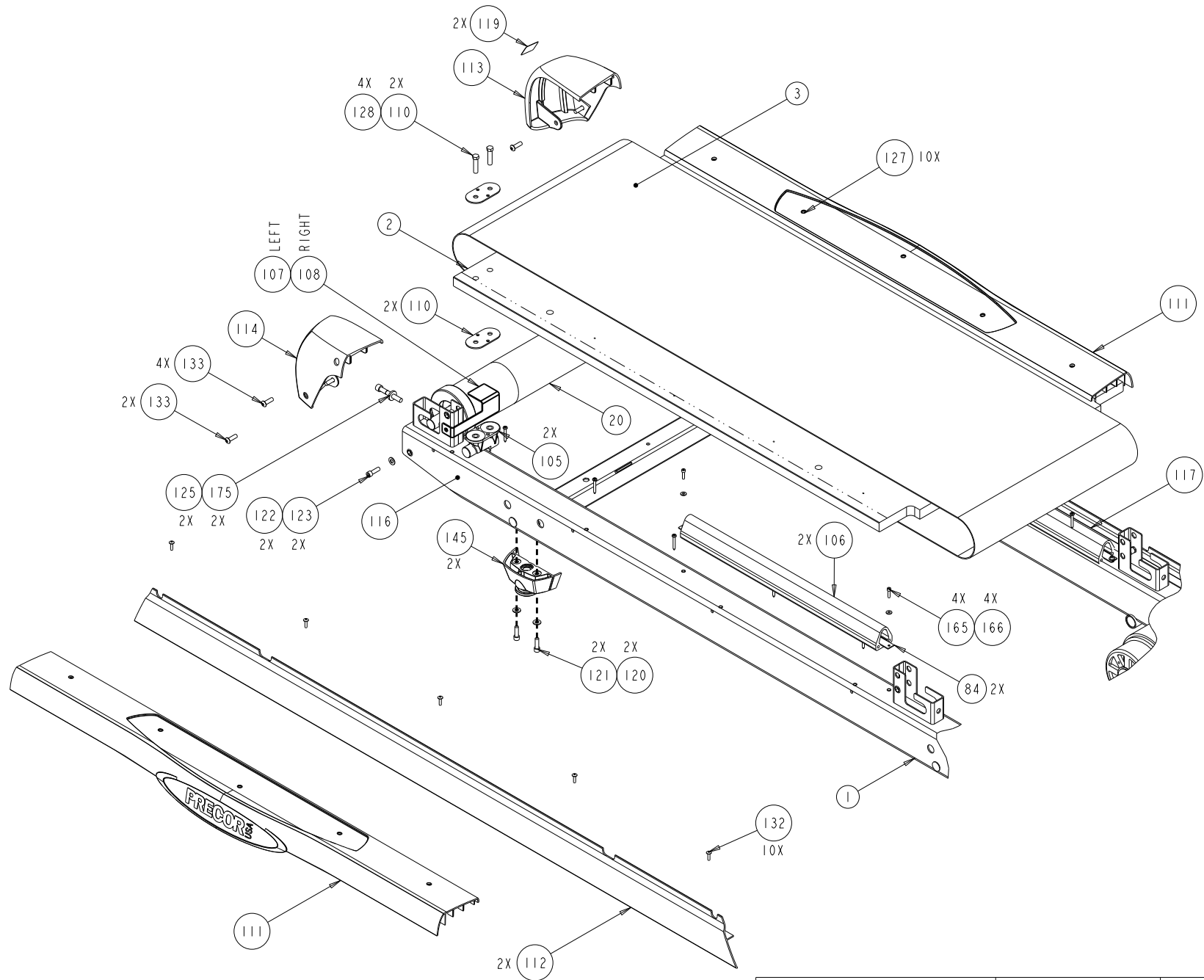
TREADMILL ASSEMBLY, C95Xi	P/N: 47421-XXX	REV: H01
DRAWN BY: C THOMSON	DATE: 03 DEC 2009	SHEET 1 OF 7



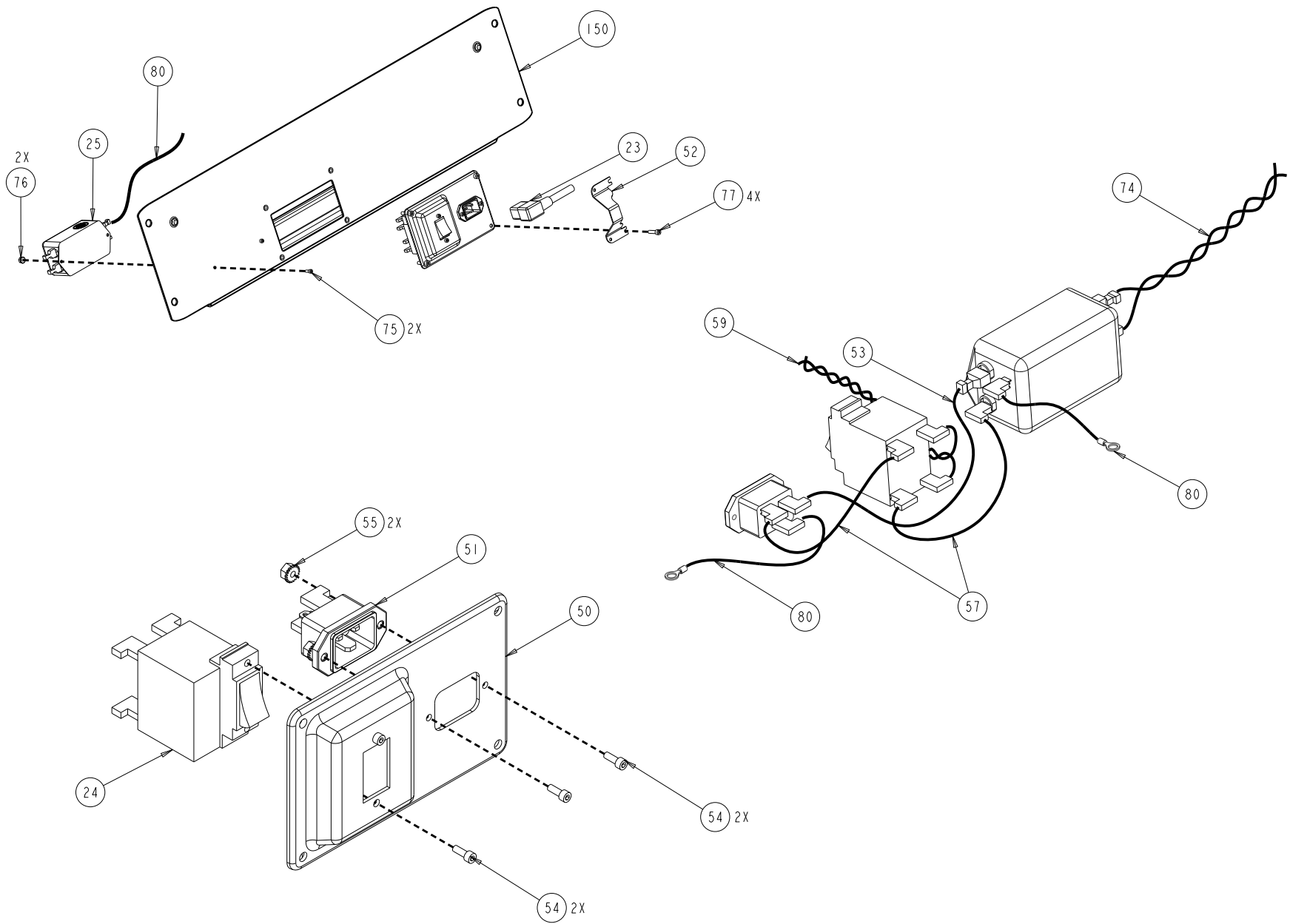
TREADMILL ASSEMBLY, C95Xi	P/N: 47421-XXX	REV: H01
DRAWN BY: C THOMSON	DATE: 03 DEC 2009	SHEET 2 OF 7



TREADMILL ASSEMBLY, C95Xi	P/N: 47421-XXX	REV: H01
DRAWN BY: C THOMSON	DATE: 03 DEC 2009	SHEET 3 OF 7



TREADMILL ASSEMBLY, C95Xi	P/N: 47421-XXX	REV: H01
DRAWN BY: C THOMSON	DATE: 03 DEC 2009	SHEET 4 OF 7



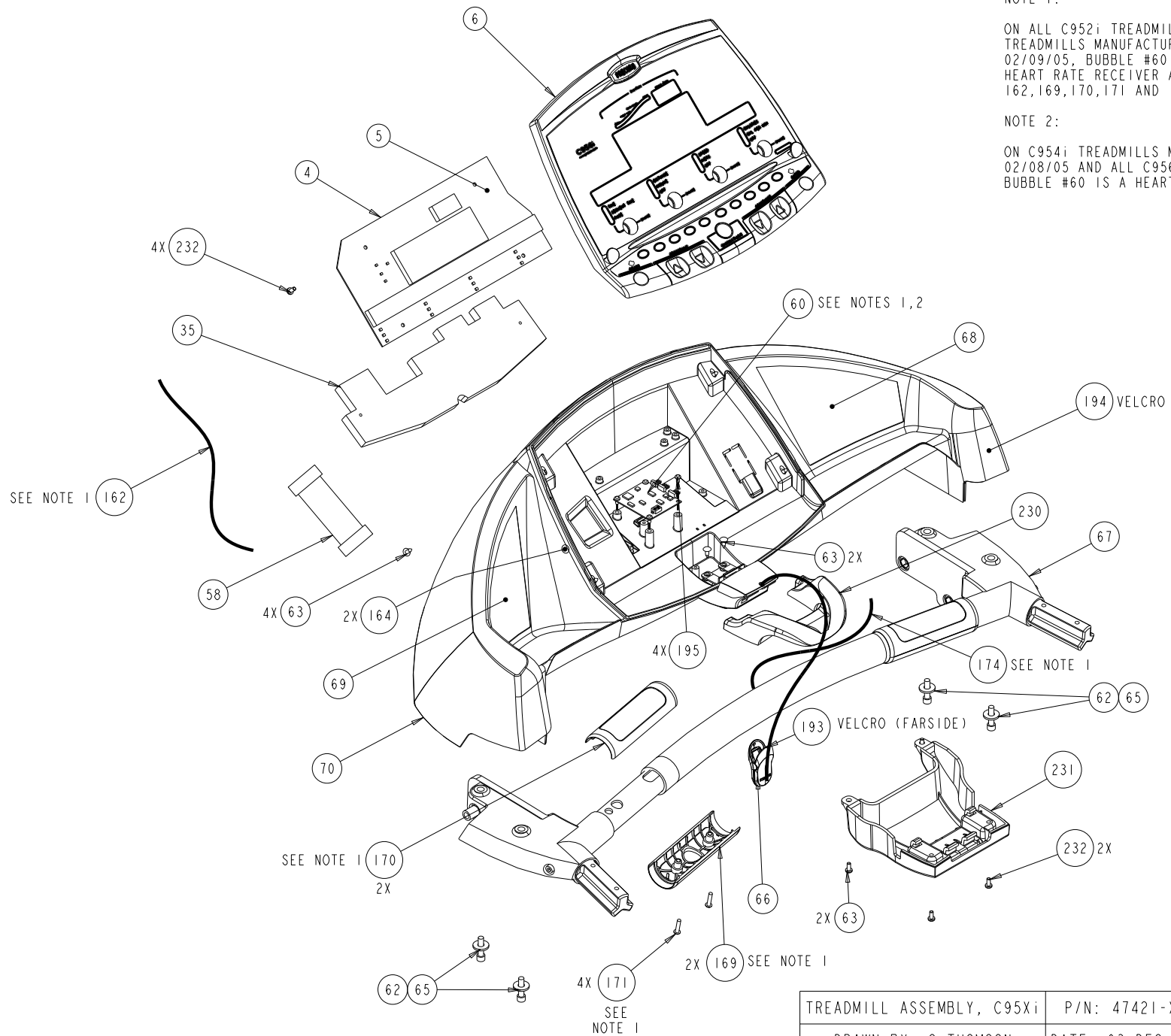
TREADMILL ASSEMBLY, C95Xi	P/N: 47421-XXX	REV: H01
DRAWN BY: C THOMSON	DATE: 03 DEC 2009	SHEET 5 OF 7

NOTE 1:

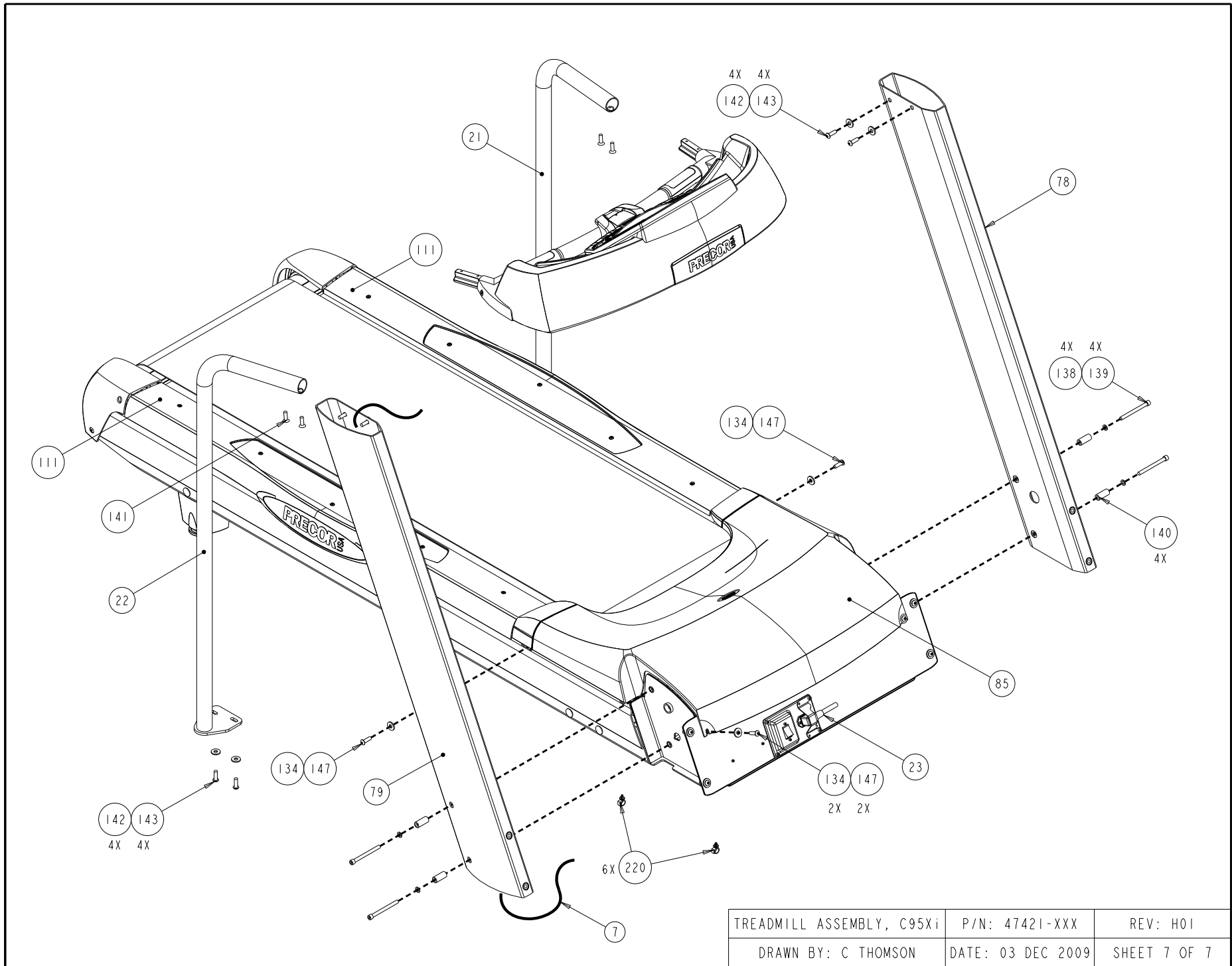
ON ALL C952i TREADMILLS AND C954i TREADMILLS MANUFACTURED PRIOR TO 02/09/05, BUBBLE #60 IS A WIRELESS HEART RATE RECEIVER AND BUBBLES 162, 169, 170, 171 AND 174 ARE NOT FURNISHED.

NOTE 2:

ON C954i TREADMILLS MANUFACTURED AFTER 02/08/05 AND ALL C956i TREADMILLS, BUBBLE #60 IS A HEART RATE PCA.



TREADMILL ASSEMBLY, C95Xi	P/N: 47421-XXX	REV: H01
DRAWN BY: C THOMSON	DATE: 03 DEC 2009	SHEET 6 OF 7



TREADMILL ASSEMBLY, C95Xi	P/N: 47421-XXX	REV: H01
DRAWN BY: C THOMSON	DATE: 03 DEC 2009	SHEET 7 OF 7